

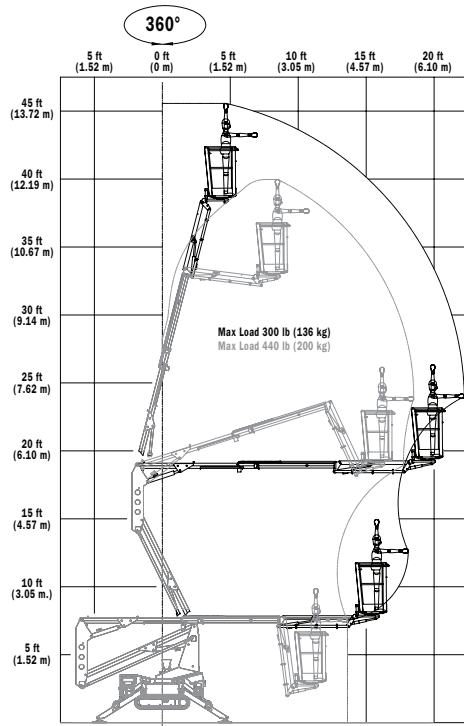
## Compact Crawler Booms SPECIFICATIONS

	<b>X390AJ</b>	<b>X500AJ</b>	<b>X550AJ</b>	<b>X600AJ</b>	<b>X700AJ</b>
Platform Height	39' 2" (11.9 m)	49' (14.95 m)	55' (16.76 m)	59' 3" (18.05 m)	69' 7" (21.20 m)
Working Height	45' (13.71 m)	56' (17.06 m)	61' (18.59 m)	66' (20.11 m)	76' (23.16 m)
Horizontal Outreach	22' (6.70 m)	23' (7.00 m)	21' (6.40 m)	30' (9.1 m)	37' (11.27 m)
Swing	360° Non-continuous	360° Non-continuous	360° Non-continuous	360° Non-continuous	360° Non-continuous
Platform Capacity Restricted	440 lb (200 kg)	500 lb (227 kg)	440 lb (200 kg)	500 lb (227 kg)	440 lb (200 kg)
Platform Capacity Unrestricted	300 lb (136 kg)	500 lb (227 kg)	300 lb (136 kg)	500 lb (227 kg)	300 lb (136 kg)
Platform Rotation	N/A	124° (+/- 62°)	124° (+/-62°)	124° (+/- 62°)	124° (+/-62°)
Jib (Range of Articulation)	88° (-2/-90)	89° (-2/-90)	82.7° (0/-82.7)	89° (-2/-90)	85° (-1/-86)
Platform Size Standard Two person	58" x 30" (1.47 x 0.76 m)	58" x 30" (1.47 x 0.76 m)	58" x 30" (1.47 x 0.76 m)	58" x 30" (1.47 x 0.76 m)	58" x 30" (1.47 x 0.76 m)
Optional Single person	31" x 24" (0.78 x 0.61 m)	31" x 24" (0.78 x 0.61 m)	31" x 24" (0.78 x 0.61 m)	31" x 24" (0.78 x 0.61 m)	31" x 24" (0.78 x 0.61 m)
Overall Width	31" (0.77 m)	31" (0.79 m)	31" (0.77 m)	31" (0.79 m)	39" (0.99 m)
Stowed Height With Pads	6' 11" (2.10 m)	6' 6.5" (2.00 m)	7' (2.13 m)	6' 6.5" (2.00 m)	6' 6.5" (1.99 m)
Pads Detached	6' 10" (2.07 m)	6' 6.5" (2.00 m)	6' 6.5" (1.98 m)	6' 6.5" (2.00 m)	6' 6.5" (1.99 m)
Outrigger Footprint Narrow	11' x 10' 10" (3.35 m x 3.30 m) N/A	10'5" x 10' 5" (3.17 x 3.17 m) N/A	11' 2" x 11' (3.40 m x 3.35 m) N/A	10' 7" x 10' 7" (3.22 x 3.22 m) N/A	15' 5" x 15' (4.69 m x 4.57 m) 9' 1" x 20' 4" (2.78 m x 6.19 m)
Stowed Length Without Basket	13' (3.98 m) 11' 8" (3.56 m)	14' 10" (4.53 m) 13' 8" (4.16 m)	14' 8" (4.47 m) 13' 6" (4.11 m)	16' 5" (5.01 m) 15' 3" (4.65 m)	19' 8" (6.00 m) 18' 6" (5.64 m)
Track Length	4' 1" (1.24 m)	4' 1" (1.24 m)	4' 1" (1.24 m)	4' 10" (1.47 m)	5' 9" (1.77 m)
Weight*	3,682 lb (1,670 kg)	4,916 lb (2,230 kg)	4,630 lb (2,098 kg)	6,350 lb (2,880 kg)	6,592 lb (2,990 kg)
Ground Bearing Pressure Outriggers	27 psi (1.9 kg/cm <sup>2</sup> )	36 psi (2.49 kg/cm <sup>2</sup> )	27 psi (1.9 kg/cm <sup>2</sup> )	44.8 psi (3.09 kg/cm <sup>2</sup> )	42 psi (3.0 kg/cm <sup>2</sup> )
Tracks	7.25 psi (.51 kg/cm <sup>2</sup> )	9.86 psi (0.68 kg/cm <sup>2</sup> )	8.99 psi (.63 kg/cm <sup>2</sup> )	9.5 psi (0.65 kg/cm <sup>2</sup> )	6.9 psi (.49 kg/cm <sup>2</sup> )
Drive Speed	.87 mph (1.4 km/h)	0.99 mph (1.6 km/h)	.80 mph (1.3 km/h)	0.99 mph (1.6 km/h)	.80 mph (1.3 km/h)
Gradeability	33%	36%	38%	36%	40%
Slope Tolerance	10°	12°	11°	15°	14°
Gasoline Engine	Honda GX270 9 hp (6.7 kW)	Honda iGX440 15 hp (11.1 kW)	Honda iGX440 15 hp (11.1 kW)	Honda iGX440 15 hp (11.1 kW)	Honda iGX440 15 hp (11.1 kW)
Electric Engine	90Ah 48V Lithium-Ion	100Ah 48V Lithium-Ion	90Ah 48V Lithium-Ion	100Ah 72V Lithium-Ion	90Ah 72V Lithium-Ion
Fuel Tank Capacity (Gasoline)	1.4 gal. (5.3 L)	1.5 gal. (5.9 L)	1.5 gal. (5.9 L)	1.5 gal. (5.9 L)	1.5 gal. (5.9 L)
AC Motor**	120V 60 Hz (1.2 kW)	120V 60 Hz (1.2 kW) / 230V 50Hz (2.2 kW)	120V 60 Hz (1.2 kW)	120V 60 Hz (1.2 kW) / 230V 50Hz (2.2 kW)	120V 60 Hz (1.2 kW)

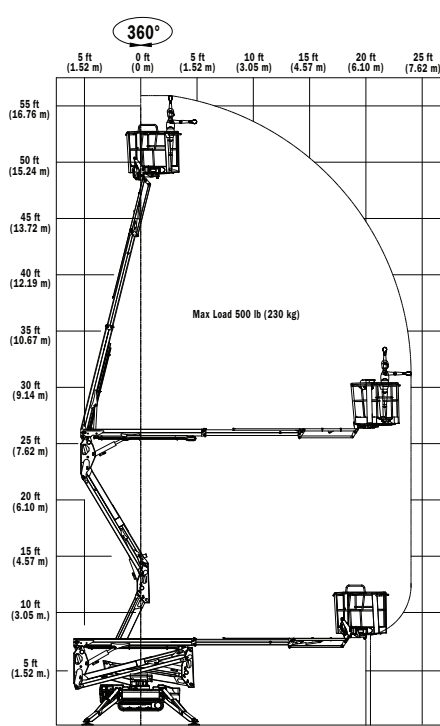
\*Certain options of country standards increase weight.

\*\*Country specific options available.

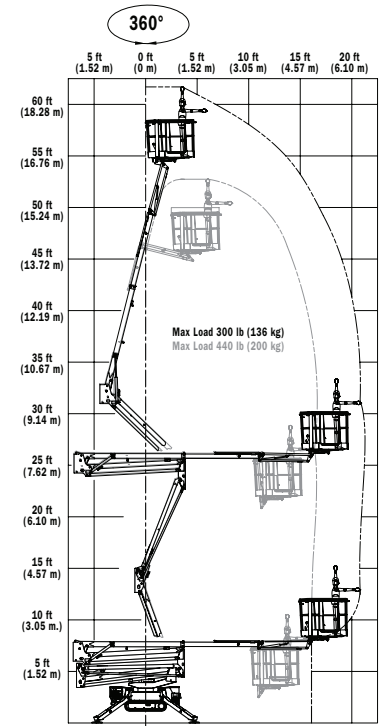
## X390AJ



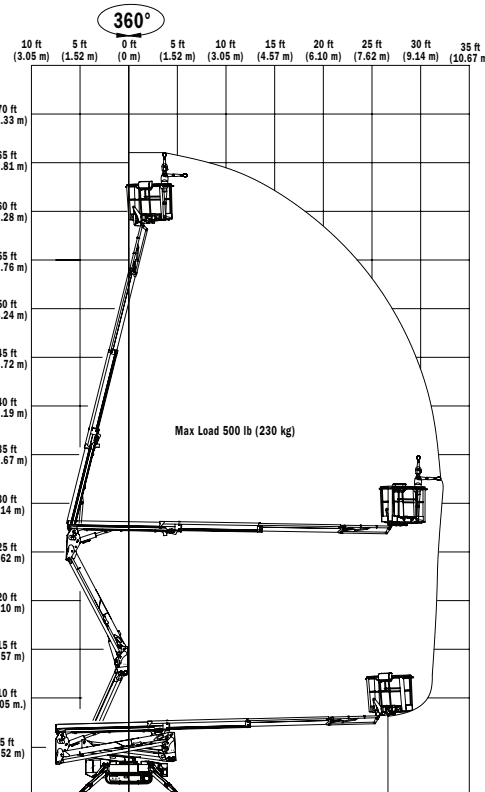
## X500AJ



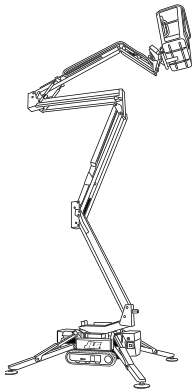
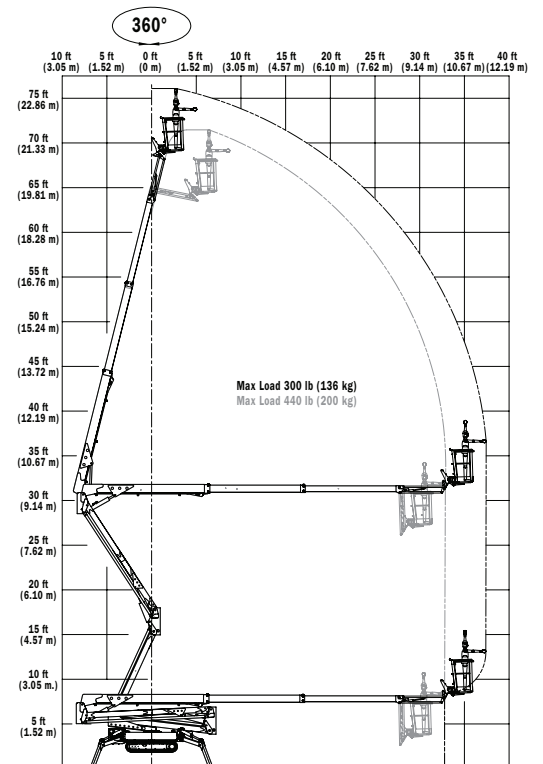
## X550AJ



## X600AJ



## X700AJ



### Main Features

- Optional Lithium-ion technology.
- One-touch outrigger leveling.
- Dual power onboard.
- Standard air/water line.
- Patented quick connect platform.
- Large Teflon outrigger pads.
- LCD panel provides onboard diagnostics.

### JLG Industries, Inc.

1 JLG Drive  
McConnellsburg, PA 17233-9533  
Telephone 717-485-5161  
Toll-free in US 877-JLG-LIFT  
Fax 717-485-6417

[www.jlg.com](http://www.jlg.com)

An Oshkosh Corporation Company

Form No.: CCB-Bro-0613  
Part No.: 3131582  
R011404  
Printed in USA

